



MODEL M-12 AIR GRINDER INSTRUCTIONS

AIR SUPPLY REQUIREMENTS

1. Supply tool with 90 psig (6.2 bar) of clean, dry air. Higher pressure drastically reduces tool life.
2. Connect tool to air line using pipe, hose and fitting sizes shown in the diagram on page 12.
3. Do not install a quick coupler directly into the grinder throttle handle.
4. Minimum compressor requirement: 3hp (2238 w), 60 gal. air tank.

LUBRICATION

Use an air line lubricator with SAE #10 oil, adjusted to two drops per minute. If an air line lubricator cannot be used, add air motor oil to the inlet once a day.

NOISE & VIBRATION DECLARATION*

Sound pressure level 90 dB(A) in accordance with Pneuop 8N-1. For sound power, add 10 dB(A).

Vibration value 3.0 m/s², re. ISO 8662-1.

MAINTENANCE

1. Disassemble and inspect air motor every three months if the tool is used every day. Replace damaged or worn parts.
2. High wear parts are underlined in the parts list.

* These declared values were obtained by laboratory type testing in compliance with the stated standards and are not adequate for use in risk assessments. Values measured in individual work places may be higher than the declared values. The actual exposure values and risk of harm experienced by an individual user are unique and depend upon the way the user works, the workpiece and the workstation design, as well as upon the exposure time and the physical condition of the user. We, cannot be held liable for the consequences of using the declared values, instead of values reflecting the actual exposure, in an individual risk assessment in a work place situation over which we have no control.

! WARNING SAFETY INSTRUCTIONS

To reduce risk of injury, everyone using, installing, repairing, maintaining, changing accessories on, or working near this tool must read and understand these



instructions before performing any such task.

Our goal is to produce tools that help you work safely and efficiently. The most important safety device for this or any tool is YOU. Your care and good judgment are the best protection against injury. All possible hazards cannot be covered here, but we have tried to highlight some of the important ones.

FOR ADDITIONAL SAFETY INFORMATION CONSULT:

- ! Your employer, union and / or trade association.
- ! US Department of Labor (OSHA); www.osha.gov; Council of the European Communities europe.osha.eu.int
- ! “Safety Requirements for the Use, Care and Protection of Abrasive Wheels” (ANSI B7.1) and “Safety Code for Portable Air Tools” (ANSI B186.1) available from: www.ansi.org
- ! “Safety Requirements for Hand-Held Non-Electric Power Tools” available from: European Committee for Standardization, www.cenorm.be

AIR SUPPLY AND CONNECTION HAZARDS

- ! Never direct air at yourself or anyone else. Air under pressure can cause severe injury.
- ! Always shut off air supply, drain hose of air pressure and disconnect tool from air supply when not in use, before changing accessories or when making repairs.
- ! Whipping hoses can cause serious injury. Always check for damaged or loose hoses and fittings.
- ! Do not use quick disconnect couplings at tool. See instructions for correct setup.
- ! Whenever universal twist couplings are used, lock pins must be installed.
- ! Do not exceed maximum air pressure of 90 psi/6.2 bar or as stated on tool nameplate.

ENTANGLEMENT HAZARDS

- ! Keep away from rotating spindle and accessory.
- ! Do not wear jewelry or loose clothing.



- ! Scalping can occur if hair is not kept away from tool and accessories.
- ! Choking can occur if neckwear is not kept away from tool and accessories.

OPERATING HAZARDS

- ! Never mount a grinding wheel, cut off wheel or router cutter on a die grinder or tire buffer. A grinding wheel or other accessory that bursts can cause very serious injury or death.
- ! Grinding accessory's rated speed must be equal to or greater than the speed of the die grinder.
- ! Use only mounted wheels or tire buffing accessories with adequate speed rating and the correct shaft diameter.
- ! Do not use wire brushes, drill bits, or any other accessory other than mounted wheels, burrs and tire buffing accessories.
- ! Damaged, worn or incorrectly mounted accessories can cause higher vibration. To reduce exposures to vibration ensure burring tools are sharp and this tool and all accessories are in proper working condition.
- ! Ensure that the workpiece is properly supported.
- ! Avoid direct contact with rotating spindle and accessory to prevent cutting of hands or other body parts. Wear gloves to help protect hands. Tool continues to run after the throttle lever has been released.
- ! Do not disable the lock off feature on the throttle lever.
- ! This tool and its accessories must not be modified.
- ! Operators and maintenance personnel must be physically able to handle the power of the tool and capable of performing the job task.
- ! Always wear impact-resistant eye and face protection when involved with or near the operation, repair or maintenance of the tool or changing accessories on the tool. Gloves and protective clothing are recommended.
- ! Even small projectiles can injure eyes and cause blindness.
- ! Be sure all others in the area are wearing impact-resistant eye and face protection.
- ! Daily measure the air tool speed with a tachometer to make sure it is less than .390 in. (10mm). Increased overhang of a mounted wheel reduces its permitted speed - Refer to manufacturer's recommendations and (ANSI B7.1)

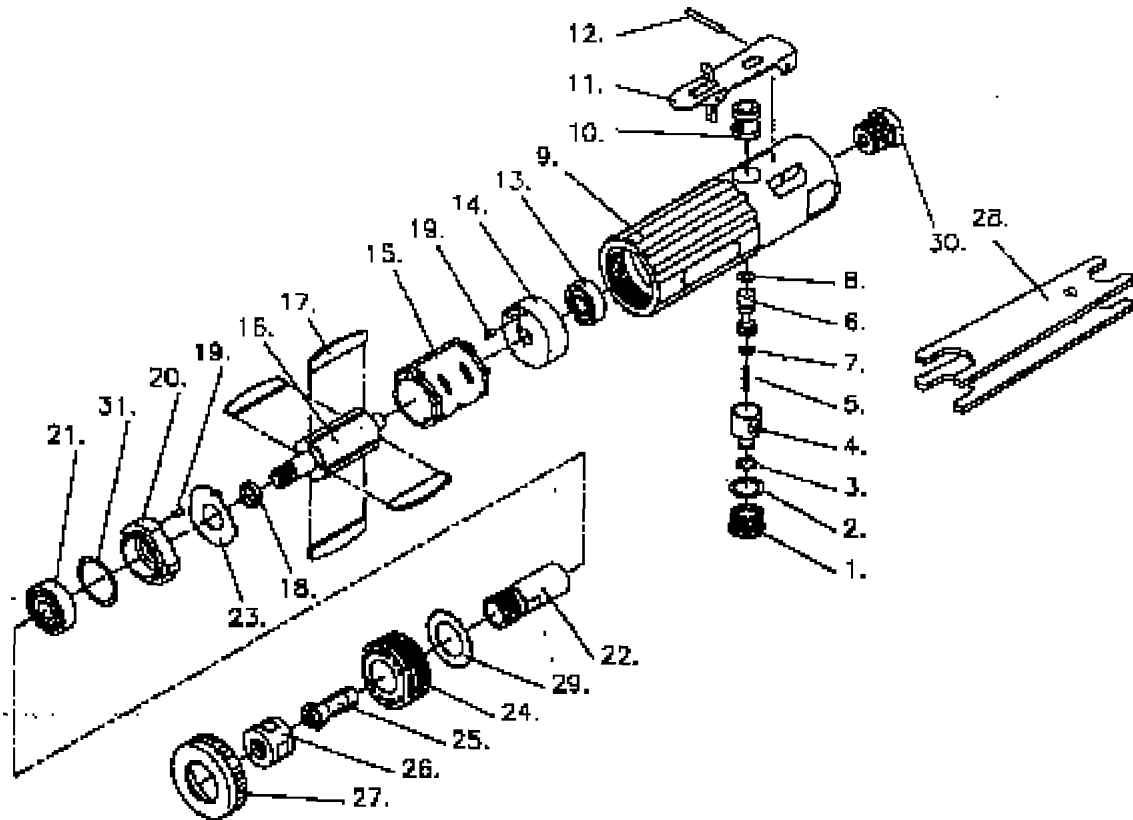


WORKPLACE HAZARDS

- ! Slip/Trip/Fall is a major cause of serious injury or death. Be aware of excess hose left on the walking or work surface.
- ! High sound levels can cause permanent hearing loss. Use hearing protection as recommended by your employer or OSHA regulation (see 29 CFR part 1910).
- ! Maintain a balanced body position and secure footing.
- ! Repetitive work motions, awkward positions and exposure to vibration can be harmful to hands and arms. If numbness, tingling, pain or whitening of the skin occurs, stop using tool and consult a physician.
- ! Avoid inhaling dust or handling debris from the work process which can be harmful to your health. Use dust extraction and wear respiratory protective equipment when working with materials which produce airborne particles.
- ! This tool is not intended for use in explosive atmospheres and is not insulated for contact with electric power sources.
- ! Potentially explosive atmospheres can be caused by dust and fumes resulting from sanding or grinding. Use dust extraction or suppression system which are suitable for the material being processed.
- ! Some dust created by power sanding, sawing, grinding, drilling and other construction activities contains chemicals known to the State of California to cause cancer and birth defects or other reproductive harm. Some examples of these chemicals are:
 - Lead from lead based paints
 - Crystalline silica bricks and cement and other masonry products
 - And Arsenic and chromium from chemically-treated rubber

Your risk from these exposures varies, depending on how often you do this type of work. To reduce your exposure to these chemicals: work in a well ventilated area, and work with approved safety equipment, such as dust masks that are specially designed to filter out microscopic particles.

MARTINDALE



PARTS LIST

REF. NO.	PART NO.	DESCRIPTION	QTY/TOOL	COST NTD	REF. NO.	PART NO.	DESCRIPTION	QTY/TOOL	COST NTD
1		Plug Screen	1		19		Locating Pin	2	
2		O-Ring	1		20		Bearing Plate	1	
3		O-Ring	1		21		Bearing	1	
4		Regulator Air	1		22		Chuck Body	1	
5		Valve Spring	1		23		Steel Plate	1	
6		Valve Stem	1		24		Lock Ring	1	
7		O-Ring	1		25		Collet	1	
8		O-Ring	1		26		Collet Nut	1	
9		Motor Housing	1		27		Thread Guard	1	
10		Valve Bushing	1		28		Wrench 14mm*19mm	2	
11		Lever	1		29		Anti-Noise Plate	1	
12		Lever Pin	1		30		Air Inlet	1	
13		Bearing	1		31		Shim Pack	0-2	
14		Bearing Plate	1						
15		Cylinder	1						
16		Rotor	1						
17		Rotor Blade	4						
18		Spacer	1						

PARTS KITS

★		Service Kit	1	
▲		Repair Kit	1	